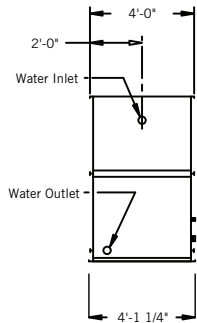
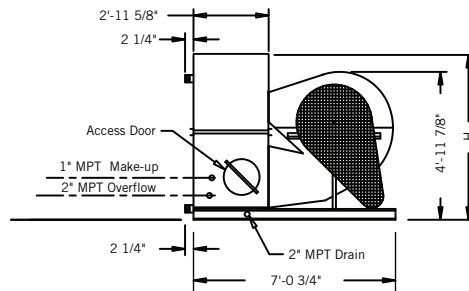


# Series V Engineering Data

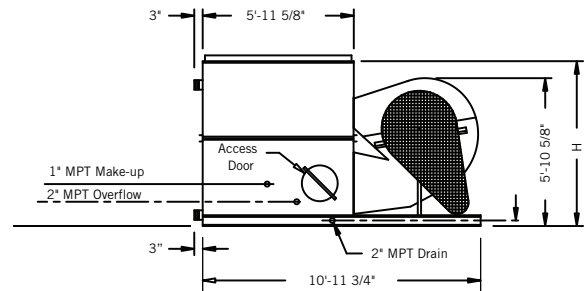
## VTL MODELS



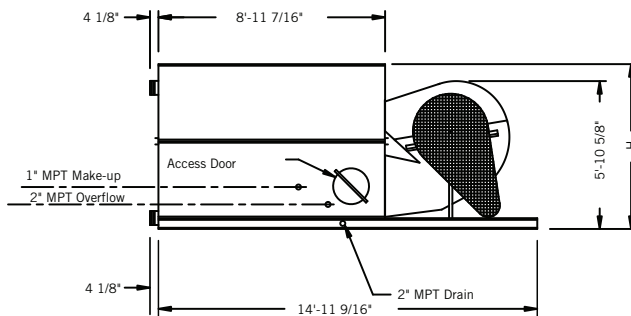
Models VTL-016-E to 137-M



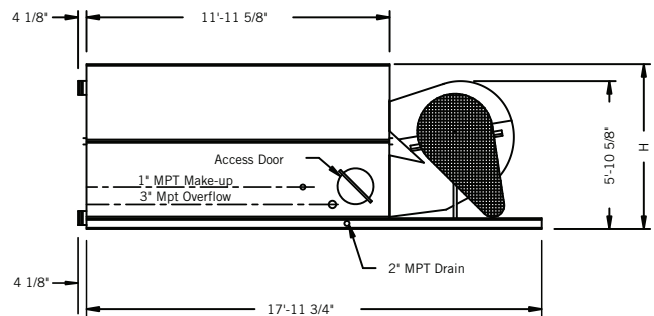
Models VTL-016-E to 039-H



Models VTL-045-H to 079-K



Models VTL-082-K to 095-K

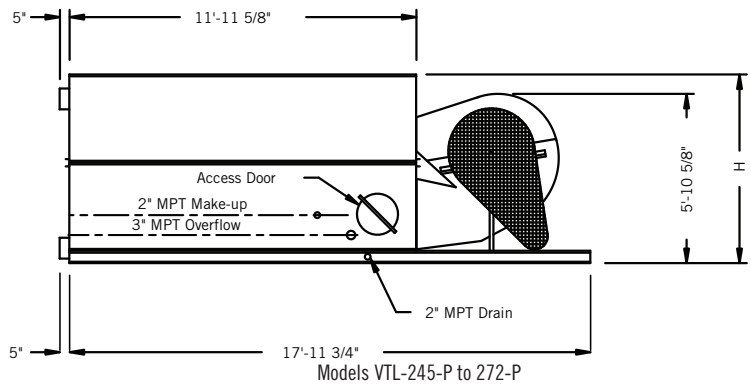
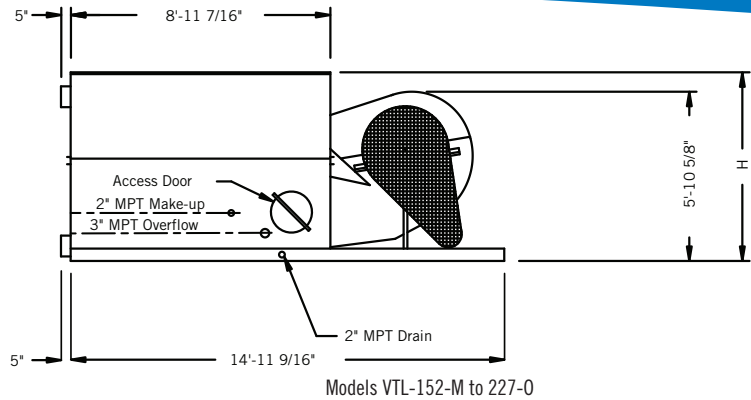
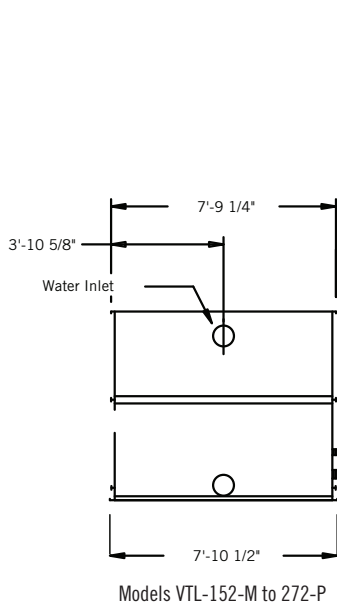


Models VTL-103-K to 137-M

Model Number	Nominal Tonnage <sup>[1]</sup>	Motor HP <sup>[2]</sup>	Airflow (CFM)	Weights (lbs)		H	Connections <sup>[4]</sup>		
				Operating <sup>[3]</sup>	Shipping		Inlet	Outlet	Overflow
VTL-016-E	16	1.5	7,680	1,620	1,100	5'-2"	3"	3"	2"
VTL-021-F	21	2	8,150	1,660	1,140	5'-2"	3"	3"	2"
VTL-027-F	27	2	7,370	1,740	1,220	6'-7"	3"	3"	2"
VTL-030-G	30	3	8,270	1,770	1,250	6'-7"	3"	3"	2"
VTL-034-H	34	5	9,420	1,810	1,290	6'-7"	3"	3"	2"
VTL-039-H	39	5	8,860	1,910	1,390	8'-2"	3"	3"	2"
VTL-045-H	45	5	16,910	2,710	1,650	5'-2"	4"	4"	2"
VTL-051-G	51	3	13,350	2,810	1,750	6'-7"	4"	4"	2"
VTL-059-H	59	5	15,490	2,830	1,770	6'-7"	4"	4"	2"
VTL-066-J	66	7.5	17,210	2,900	1,840	6'-7"	4"	4"	2"
VTL-072-K	72	10	18,690	2,930	1,870	6'-7"	4"	4"	2"
VTL-079-K	79	10	17,500	3,100	2,040	8'-2"	4"	4"	2"
VTL-082-K	82	10	22,400	3,810	2,260	6'-7"	6"	6"	2"
VTL-092-L	92	15	24,980	3,940	2,390	6'-7"	6"	6"	2"
VTL-095-K	95	10	21,150	4,650	2,490	8'-2"	6"	6"	2"
VTL-103-K	103	10	24,990	4,740	2,680	6'-7"	6"	6"	3"
VTL-116-L	116	15	28,200	4,800	2,740	6'-7"	6"	6"	3"
VTL-126-M	126	20	30,700	4,810	2,750	6'-7"	6"	6"	3"
VTL-137-M	137	20	29,560	5,120	3,060	8'-2"	6"	6"	3"



**NOTE:** Up-to-date engineering data, free product selection software, and more can be found at [www.BaltimoreAircoil.com](http://www.BaltimoreAircoil.com).



Model Number	Nominal Tonnage <sup>(1)</sup>	Motor HP <sup>(2)</sup>	Airflow (CFM)	Weights (lbs)		H	Connections <sup>(4)</sup>		
				Operating <sup>(3)</sup>	Shipping		Inlet	Outlet	Overflow
VTL-152-M	152	20	45,870	6,580	3,440	5'-2"	8"	8"	3"
VTL-171-L	171	15	39,940	6,820	3,680	6'-7"	8"	8"	3"
VTL-185-M	185	20	43,150	6,960	3,820	6'-7"	8"	8"	3"
VTL-198-N	198	25	46,090	7,000	3,860	6'-7"	8"	8"	3"
VTL-209-O	209	30	48,630	7,040	3,900	6'-7"	8"	8"	3"
VTL-227-O	227	30	46,550	7,470	4,330	8'-2"	8"	8"	3"
VTL-245-P	245	40	58,820	8,970	4,790	6'-7"	8"	8"	3"
VTL-272-P	272	40	56,760	9,490	5,310	8'-2"	8"	8"	3"



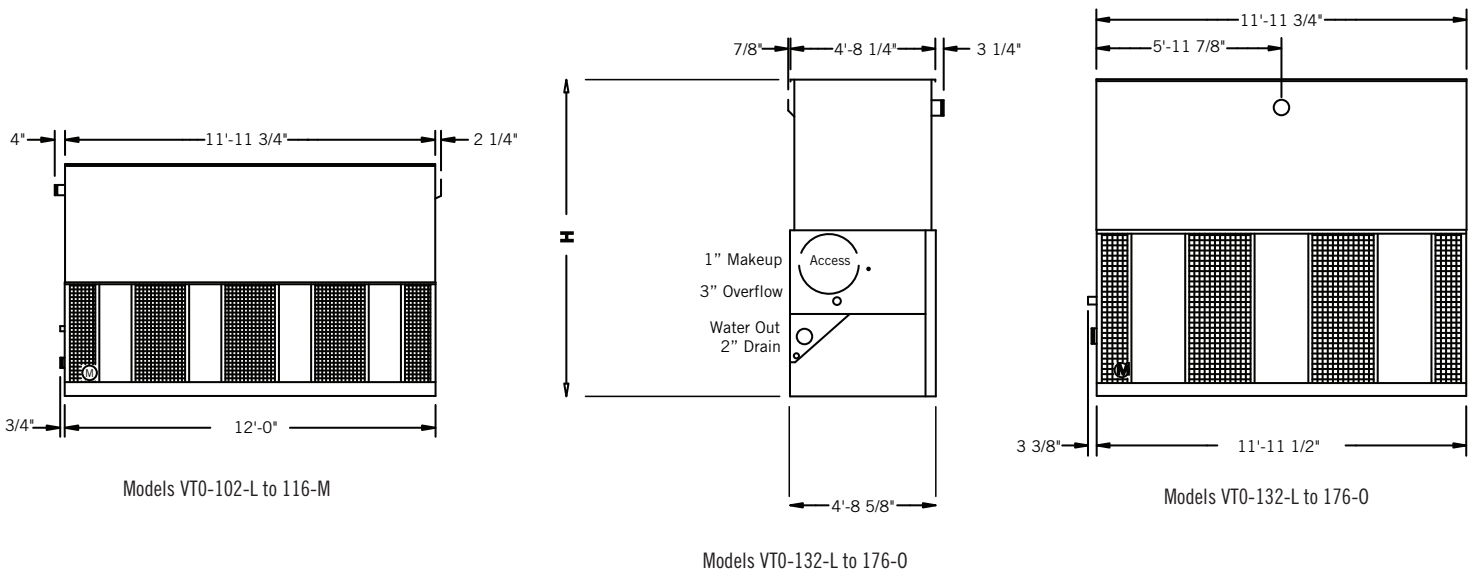
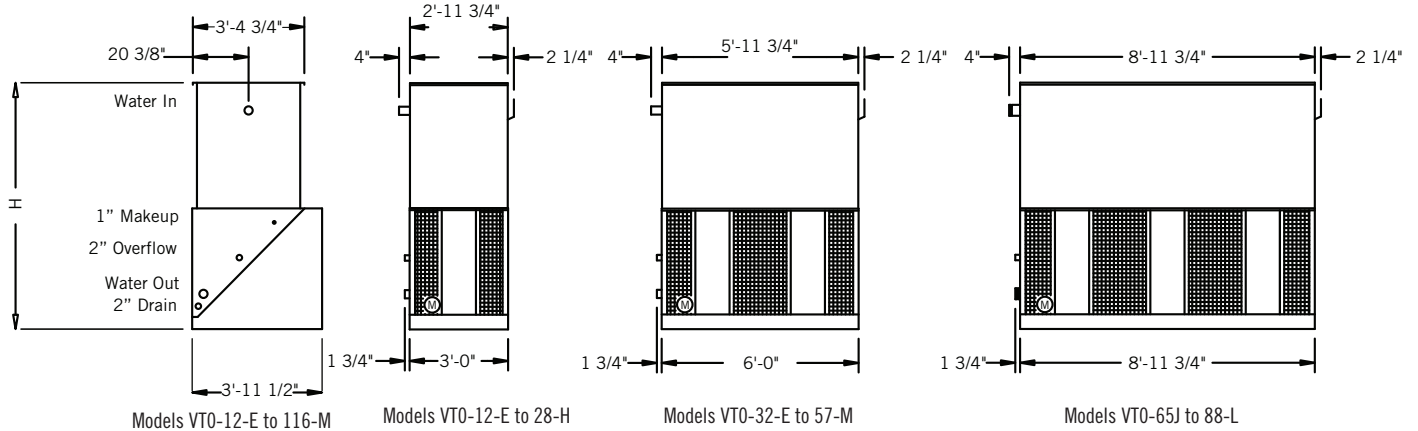
**NOTES:**


1. Nominal tons of cooling represents the capability to cool 3 USGPM of water from a 95°F entering water temperature to an 85°F leaving water temperature at a 78°F entering wet-bulb temperature.
2. Fan horsepower is at 0" external static pressure.
3. Operating weight is based on the water level in cold water basin at overflow height.
4. Unless otherwise indicated, all connections 4" and smaller are MPT and connections 6" and larger are beveled for welding.

**Do not use for construction.** Refer to factory certified dimensions. This catalog includes data current at the time of publication, which should be reconfirmed at the time of purchase.

# Series V Engineering Data

## VTO MODELS




**NOTE:** Up-to-date engineering data, free product selection software, and more can be found at [www.BaltimoreAircoil.com](http://www.BaltimoreAircoil.com).



Model Number	Nominal Tonnage <sup>(1)</sup>	Motor HP <sup>(2)</sup>	Airflow (CFM)	Weights (lbs)		H	Connections <sup>(4)</sup>		
				Operating <sup>(3)</sup>	Shipping		Inlet	Outlet	Overflow
VTD-12-E	12	1.5	4,970	960	790	7'-7"	3"	3"	2"
VTD-14-F	14	2	5,460	970	800	7'-7"	3"	3"	2"
VTD-19-G	19	3	6,190	990	820	7'-7"	3"	3"	2"
VTD-24-G	24	3	5,945	1,050	950	9'-1"	3"	3"	2"
VTD-28-H	28	5	6,960	1,170	970	9'-1"	3"	3"	2"
VTD-32-H	32	5	11,820	1,590	1,230	7'-7"	3"	3"	2"
VTD-41-J	41	7.5	13,435	1,650	1,290	7'-7"	3"	3"	2"
VTD-52-J	52	7.5	12,960	1,780	1,540	9'-1"	3"	3"	2"
VTD-57-K	57	10	14,180	1,790	1,550	9'-1"	3"	3"	2"
VTD-65-J	65	7.5	16,860	2,580	2,000	9'-1"	4"	4"	2"
VTD-75-K	75	10	18,435	2,590	2,010	9'-1"	4"	4"	2"
VTD-78-K	78	10	17,990	2,710	2,130	10'-7"	4"	4"	2"
VTD-88-L	88	15	20,420	2,770	2,190	10'-7"	4"	4"	2"
VTD-102-L	102	15	25,060	3,310	2,500	9'-1"	4"	4"	2"
VTD-107-L <sup>(5)</sup>	107	15	24,460	3,680	2,870	10'-7"	4"	4"	2"
VTD-116-M <sup>(5)</sup>	116	20	26,670	3,740	2,930	10'-7"	4"	4"	2"
VTD-132-L	132	15	30,600	5,190	3,820	11'-10"	6"	6"	3"
VTD-145-M	145	20	33,670	5,200	3,830	11'-10"	6"	6"	3"
VTD-155-N	155	25	36,240	5,250	3,880	11'-10"	6"	6"	3"
VTD-166-N <sup>(5)</sup>	166	25	35,265	5,650	4,280	13'-4"	6"	6"	3"
VTD-176-O <sup>(5)</sup>	176	30	37,330	5,680	4,310	13'-4"	6"	6"	3"



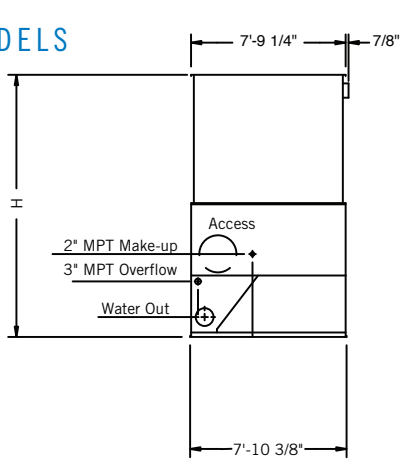
**NOTES:**

1. Nominal tons of cooling represents the capability to cool 3 USGPM of water from a 95°F entering water temperature to an 85°F leaving water temperature at a 78°F entering wet-bulb temperature.
2. Fan horsepower is at 0" external static pressure.
3. Operating weight is based on the water level in cold water basin at overflow height.
4. Unless otherwise indicated, all connections 6" and smaller are MPT and connections 8" and larger are beveled for welding.
5. Unit's casing section is the heaviest section.

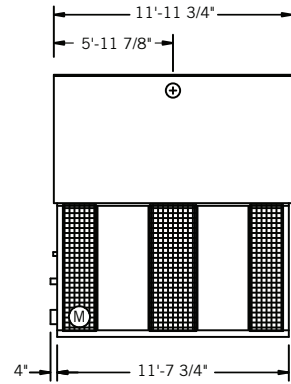
**Do not use for construction.** Refer to factory certified dimensions. This catalog includes data current at the time of publication, which should be reconfirmed at the time of purchase.

# Series V Engineering Data

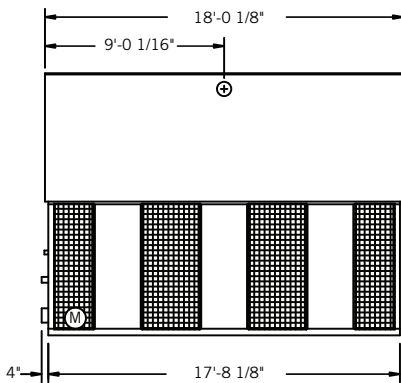
## VT1 MODELS



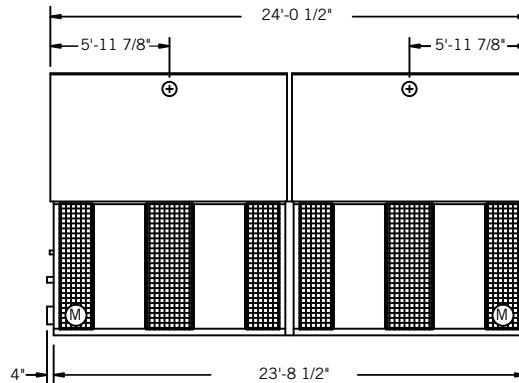
Models VT1-N209-P to N255-P



Models VT1-N209-P to N255-P



Models VT1-N301-Q to N395-R

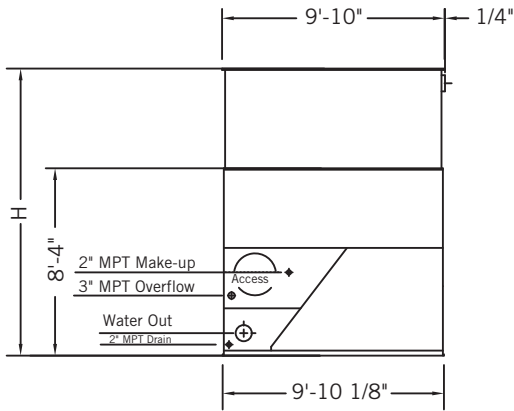


Models VT1-N418P to N510-P

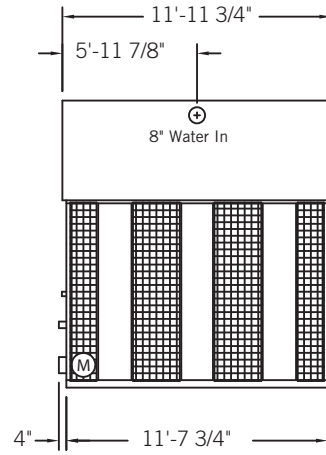
Model Number	Nominal Tonnage <sup>(1)</sup>	Motor HP <sup>(2)</sup>	Airflow (CFM)	Weights (lbs)			H	Connections <sup>(4)</sup>	
				Operating <sup>(3)</sup>	Shipping	Heaviest		Inlet	Outlet
VT1-N209-P	209	40	66,300	9,180	5,350	3,300	11'-6"	8"	8"
VT1-N220-O	220	30	53,100	9,490	5,660	3,110	13'-3"	8"	8"
VT1-N240-P	240	40	57,950	9,680	5,850	3,300	13'-3"	8"	8"
VT1-N255-P	255	40	55,900	10,380	6,550	3,300	14'-7"	8"	8"
VT1-N301-Q	301	50	86,150	13,380	7,530	4,590	11'-4"	8"	8"
VT1-N325-P	325	40	77,450	14,110	8,260	4,550	13'-3"	8"	8"
VT1-N346-Q	346	50	83,050	14,150	8,300	4,590	13'-3"	8"	8"
VT1-N370-Q <sup>(5)</sup>	370	50	80,150	15,130	9,280	4,690	14'-7"	8"	8"
VT1-N395-R	395	60	84,750	15,250	9,400	4,710	14'-7"	8"	8"
VT1-N418-P	418	(2) 40	120,600	18,490	10,680	6,580	11'-4"	(2) 8"	10"
VT1-N440-O	440	(2) 30	106,200	19,110	11,300	6,200	13'-3"	(2) 8"	10"
VT1-N480-P	480	(2) 40	115,900	19,490	11,680	6,580	13'-3"	(2) 8"	10"
VT1-N510-P	510	(2) 40	111,800	20,890	13,080	6,580	14'-7"	(2) 8"	10"



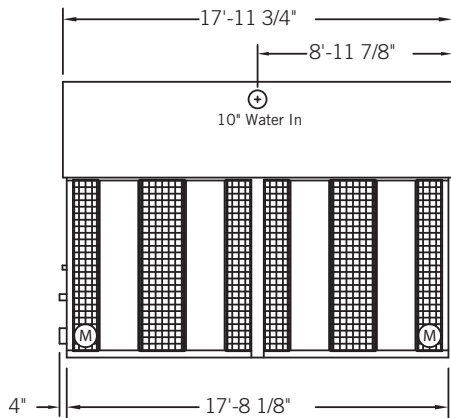
**NOTE:** Up-to-date engineering data, free product selection software, and more can be found at [www.BaltimoreAircoil.com](http://www.BaltimoreAircoil.com). **Do not use for construction.** Refer to factory certified dimensions. This catalog includes data current at the time of publication, which should be reconfirmed at the time of purchase. For additional notes, see **page B128**.



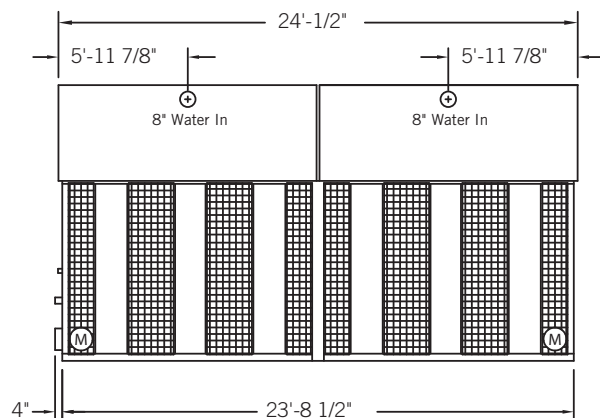
Models VT1-M316-0 to M1260-R



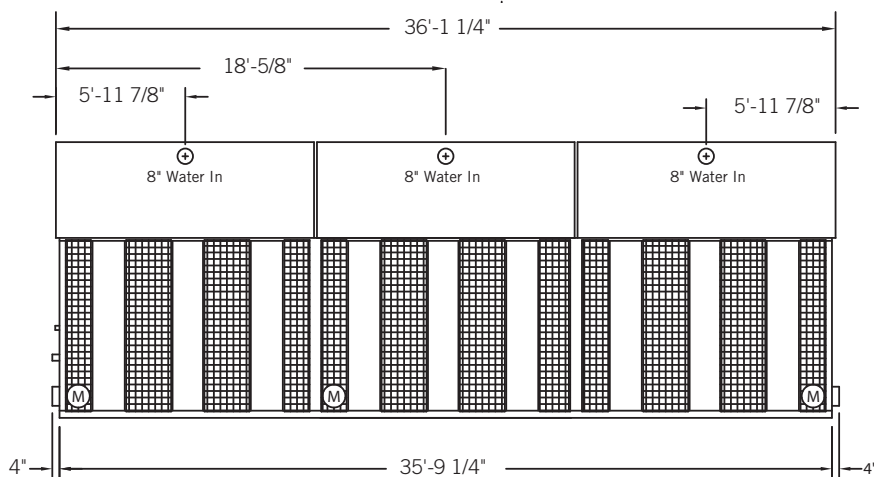
Models VT1-M316-0 to M420-R



Models VT1-M431-N to M610-P




Models VT1-M632-0 to M840-R



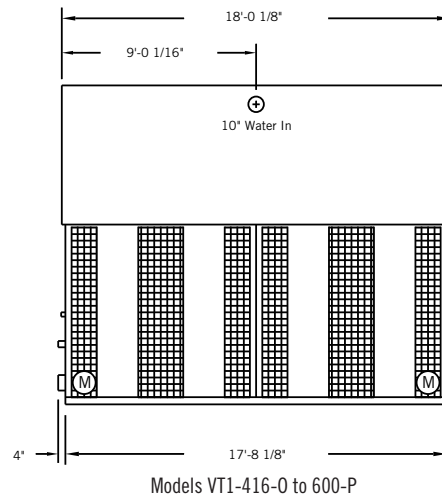
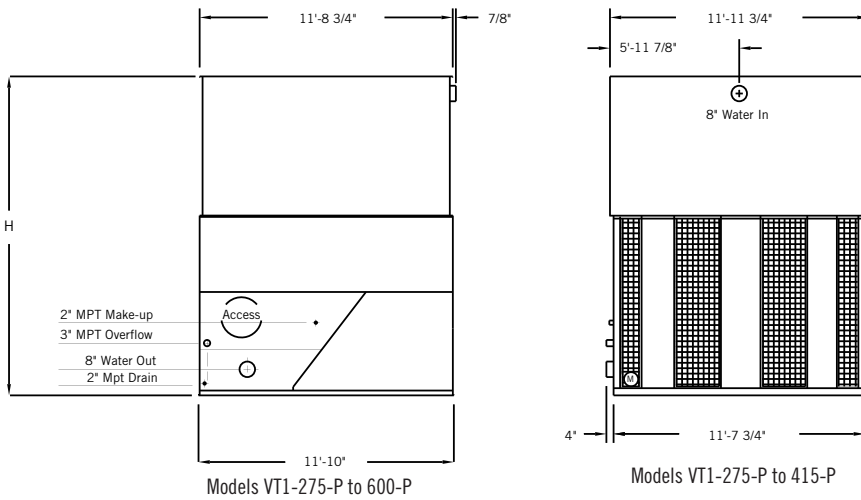
Models VT1-M948-0 to M1260-R

# Series V Engineering Data

## VT1 MODELS

 **NOTE:** Up-to-date engineering data, free product selection software, and more can be found at [www.BaltimoreAircoil.com](http://www.BaltimoreAircoil.com).

Model Number	Nominal Tonnage <sup>(1)</sup>	Motor HP <sup>(2)</sup>	Airflow (CFM)	Weights (lbs)			H	Connections <sup>(4)</sup>		
				Operating <sup>(3)</sup>	Shipping	Heaviest Section		Inlet	Outlet	Make-up
VT1-M316-O	316	30	65,929	11,728	6,772	3,508	14'-6"	8"	8"	2"
VT1-M328-O	328	30	64,721	12,154	7,197	3,508	15'-6"	8"	8"	2"
VT1-M348-P	348	40	72,316	11,926	6,969	3,697	14'-6"	8"	8"	2"
VT1-M350-O	350	30	63,511	12,580	7,623	3,784	16'-6"	8"	8"	2"
VT1-M352-P	352	40	71,234	12,352	7,395	3,697	15'-6"	8"	8"	2"
VT1-M371-P	371	40	69,897	12,777	7,821	3,784	16'-6"	8"	8"	2"
VT1-M379-Q	379	50	76,032	12,383	7,426	3,726	15'-6"	8"	8"	2"
VT1-M398-Q	398	50	74,824	12,808	7,852	3,784	16'-6"	8"	8"	2"
VT1-M420-R	420	60	79,587	13,062	8,105	3,969	16'-6"	8"	8"	2"
VT1-M431-N	431	(2) 25	103,041	16,469	8,934	4,412	13'-6"	10"	10"	2"
VT1-M455-O	455	(2) 30	109,497	16,531	8,996	4,471	13'-6"	10"	10"	2"
VT1-M484-N	484	(2) 25	102,371	17,078	9,544	4,717	14'-6"	10"	10"	2"
VT1-M514-O	514	(2) 30	108,785	17,140	9,606	4,717	14'-6"	10"	10"	2"
VT1-M515-N	515	(2) 25	101,699	17,688	10,153	5,300	15'-6"	10"	10"	2"
VT1-M533-N	533	(2) 25	100,987	18,297	10,762	5,883	16'-6"	10"	10"	2"
VT1-M544-O	544	(2) 30	108,072	17,749	10,215	5,300	15'-6"	10"	10"	2"
VT1-M557-O	557	(2) 30	107,360	18,359	10,824	5,883	16'-6"	10"	10"	2"
VT1-M560-P	560	(2) 40	119,733	17,338	9,803	4,717	14'-6"	10"	10"	2"
VT1-M595-P	595	(2) 40	118,979	17,947	10,413	5,300	15'-6"	10"	10"	2"
VT1-M610-P	610	(2) 40	118,165	18,556	11,022	5,883	16'-6"	10"	10"	2"
VT1-M632-O	632	(2) 30	131,859	23,456	13,543	7,015	14'-6"	(2) 8"	12"	2"
VT1-M656-O	656	(2) 30	129,441	24,308	14,395	7,015	15'-6"	(2) 8"	12"	2"
VT1-M696-P	696	(2) 40	144,632	23,852	13,939	7,393	14'-6"	(2) 8"	12"	2"
VT1-M700-O	700	(2) 30	127,022	25,159	15,246	7,569	16'-6"	(2) 8"	12"	2"
VT1-M704-P	704	(2) 40	142,468	24,703	14,790	7,393	15'-6"	(2) 8"	12"	2"
VT1-M742-P	742	(2) 40	139,794	25,555	15,642	7,569	16'-6"	(2) 8"	12"	2"
VT1-M758-Q	758	(2) 50	152,064	24,765	14,852	7,453	15'-6"	(2) 8"	12"	2"
VT1-M796-Q	796	(2) 50	149,648	25,617	15,704	7,569	16'-6"	(2) 8"	12"	2"
VT1-M840-R	840	(2) 60	159,174	26,123	16,211	7,937	16'-6"	(2) 8"	12"	2"
VT1-M948-O	948	(3) 30	197,788	35,184	20,315	10,523	14'-6"	(3) 8"	(2) 10"	(2) 2"
VT1-M984-O	984	(3) 30	194,162	36,461	21,592	10,523	15'-6"	(3) 8"	(2) 10"	(2) 2"
VT1-M1044-P	1,044	(3) 40	216,948	35,777	20,908	11,090	14'-6"	(3) 8"	(2) 10"	(2) 2"
VT1-M1050-O	1,050	(3) 30	190,532	37,739	22,870	11,353	16'-6"	(3) 8"	(2) 10"	(2) 2"
VT1-M1056-P	1,056	(3) 40	213,703	37,055	22,186	11,090	15'-6"	(3) 8"	(2) 10"	(2) 2"
VT1-M1113-P	1,113	(3) 40	209,690	38,332	23,463	11,353	16'-6"	(3) 8"	(2) 10"	(2) 2"
VT1-M1137-Q	1,137	(3) 50	228,096	37,148	22,278	11,179	15'-6"	(3) 8"	(2) 10"	(2) 2"
VT1-M1194-Q	1,194	(3) 50	224,471	38,425	23,556	11,353	16'-6"	(3) 8"	(2) 10"	(2) 2"
VT1-M1260-R	1,260	(3) 60	238,760	39,185	24,316	11,906	16'-6"	(3) 8"	(2) 10"	(2) 2"



#### NOTES:


1. Nominal tons of cooling represents the capability to cool 3 USGPM of water from a 95°F entering water temperature to an 85°F leaving water temperature at a 78°F entering wet-bulb temperature.
2. Fan horsepower is at 0" external static pressure.
3. Operating weight is based on the water level in cold water basin at overflow height.
4. Unless otherwise indicated, all connections 6" and smaller are MPT and connections 8" and larger are beveled for welding.
5. Unit's casing section is the heaviest section.

**Do not use for construction.** Refer to factory certified dimensions. This catalog includes data current at the time of publication, which should be reconfirmed at the time of purchase.



# Series V Engineering Data

## VT1 MODELS

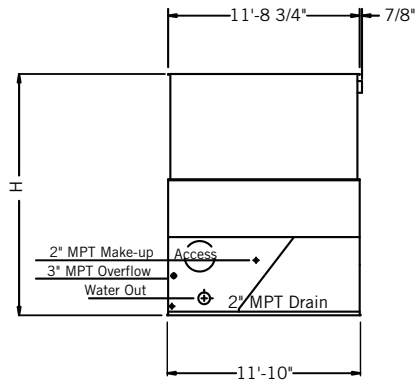
 **NOTE:** Up-to-date engineering data, free product selection software, and more can be found at [www.BaltimoreAircoil.com](http://www.BaltimoreAircoil.com).

Model Number	Nominal Tonnage <sup>(1)</sup>	Motor HP <sup>(2)</sup>	Airflow (CFM)	Weights (lbs)			H	Connections <sup>(4)</sup>		
				Operating <sup>(3)</sup>	Shipping	Heaviest Section		Inlet	Outlet	Make-up
VT1-275-P	275	40	82,350	15,190	8,040	5,140	12'-11"	8"	8"	2"
VT1-307-O	307	30	74,350	15,780	8,630	4,950	14'-10"	8"	8"	2"
VT1-340-P	340	40	81,550	15,970	8,820	5,140	14'-10"	8"	8"	2"
VT1-375-P	375	40	79,300	16,940	9,790	5,140	16'-3"	8"	8"	2"
VT1-400-Q	400	50	85,150	16,980	9,830	5,180	16'-3"	8"	8"	2"
VT1-415-R	415	60	90,250	17,100	9,950	5,300	16'-3"	8"	8"	2"
VT1-416-O	416	(2) 30	125,046	22,430	11,530	7,280	12'-11"	10"	10"	2"
VT1-478-N	478	(2) 25	116,150	23,600	12,700	7,240	14'-10"	10"	10"	2"
VT1-507-O	507	(2) 30	123,150	23,640	12,740	7,280	14'-10"	10"	10"	2"
VT1-560-O	560	(2) 30	119,750	25,080	14,180	7,280	16'-3"	10"	10"	2"
VT1-600-P	600	(2) 40	131,250	25,460	14,560	7,660	16'-3"	10"	10"	2"

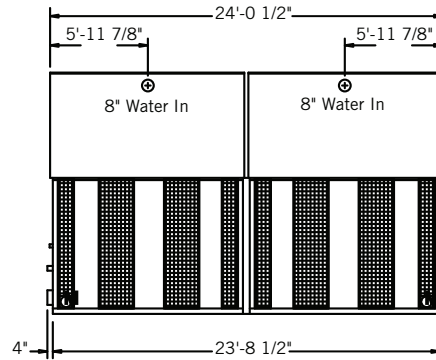
 **NOTES:**

1. Nominal tons of cooling represents the capability to cool 3 USGPM of water from a 95°F entering water temperature to an 85°F leaving water temperature at a 78°F entering wet-bulb temperature.
2. Fan horsepower is at 0" external static pressure.
3. Operating weight is based on the water level in cold water basin at overflow height.
4. Unless otherwise indicated, all connections 6" and smaller are MPT and connections 8" and larger are beveled for welding.
5. Fans on models VT1-416 through 600 must be cycled simultaneously for capacity control. For additional steps of control beyond on/off operation, a variable frequency drive, the BALTI GUARD™ Fan System, or two-speed motors are recommended.

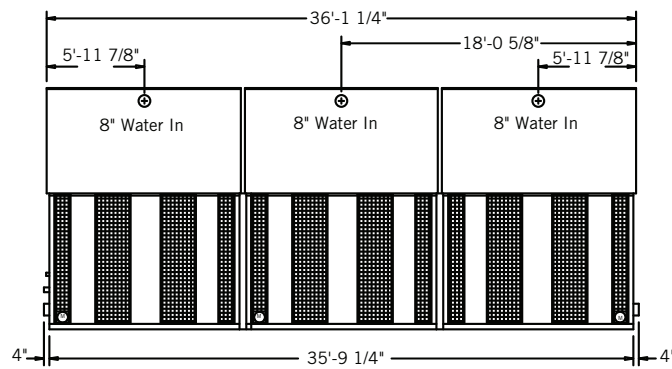
**Do not use for construction.** Refer to factory certified dimensions. This catalog includes data current at the time of publication, which should be reconfirmed at the time of purchase.



Models VT1-550P to 1355-P



Models VT1-550P to 830-R

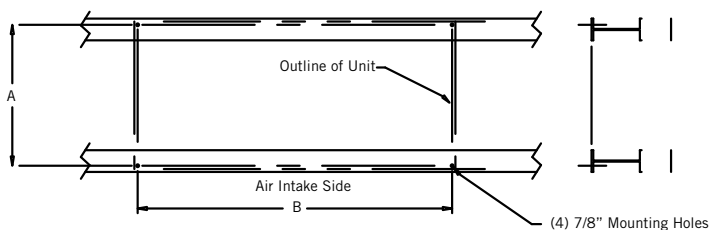
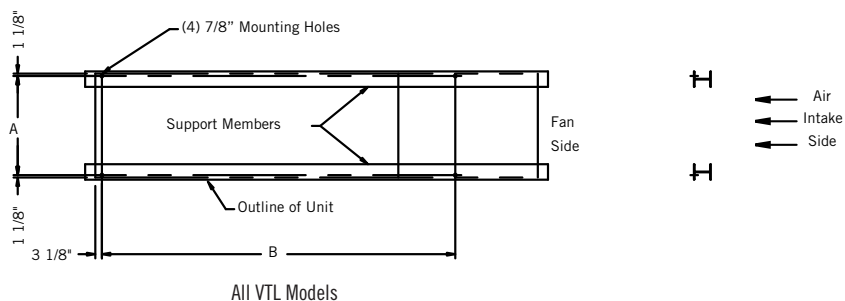


Models VT1-825-P to 1355-S

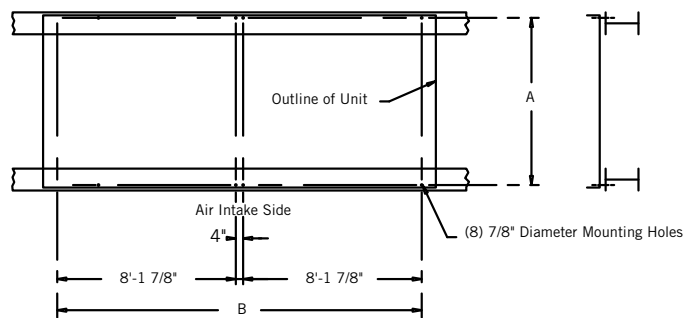
Model Number	Nominal Tonnage <sup>(1)</sup>	Motor HP <sup>(2)</sup>	Airflow (CFM)	Weights (lbs)			H	Connections <sup>(4)</sup>		
				Operating <sup>(3)</sup>	Shipping	Heaviest Section		Inlet	Outlet	Make-up
VT1-550-P	550	(2) 40	165,060	30,590	16,020	10,220	12'-11"	(2) 8"	12"	2"
VT1-680-P	680	(2) 40	163,100	32,150	17,580	10,220	14'-10"	(2) 8"	12"	2"
VT1-750-P	750	(2) 40	158,600	34,090	19,520	10,220	16'-3"	(2) 8"	12"	2"
VT1-800-Q	800	(2) 50	170,300	34,170	19,600	10,300	16'-3"	(2) 8"	12"	2"
VT1-830-R	830	(2) 60	180,500	34,410	19,840	10,540	16'-3"	(2) 8"	12"	2"
VT1-825-P	825	(3) 40	247,590	45,980	24,000	15,300	12'-11"	(3) 8"	(2) 10"	3"
VT1-921-O	921	(3) 30	223,050	47,750	25,770	14,730	14'-10"	(3) 8"	(2) 10"	3"
VT1-1020-P	1,020	(3) 40	244,650	48,320	26,340	15,300	14'-10"	(3) 8"	(2) 10"	3"
VT1-1125-P	1,125	(3) 40	237,900	51,230	29,250	15,300	16'-3"	(3) 8"	(2) 10"	3"
VT1-1200-Q	1,200	(3) 50	255,450	51,350	29,370	15,420	16'-3"	(3) 8"	(2) 10"	3"
VT1-1245-R	1,245	(3) 60	270,750	51,710	29,730	15,780	16'-3"	(3) 8"	(2) 10"	3"
VT1-1335-S	1,335	(3) 75	290,550	51,770	29,790	15,840	16'-3"	(3) 8"	(2) 10"	3"

# Series V Structural Support

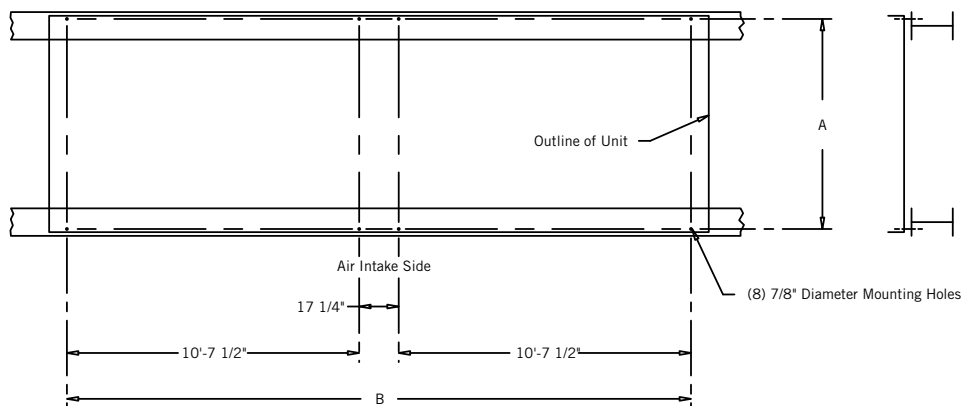
The recommended support arrangement for the Series V Cooling Tower consists of parallel structural members running the full length of the unit, spaced as shown in the following drawing. In addition to providing adequate support, the members also serve to raise the unit above any solid foundation to ensure access to the bottom of the tower. To support a Series V Cooling Tower in an alternate support arrangement, consult your local BAC Representative.



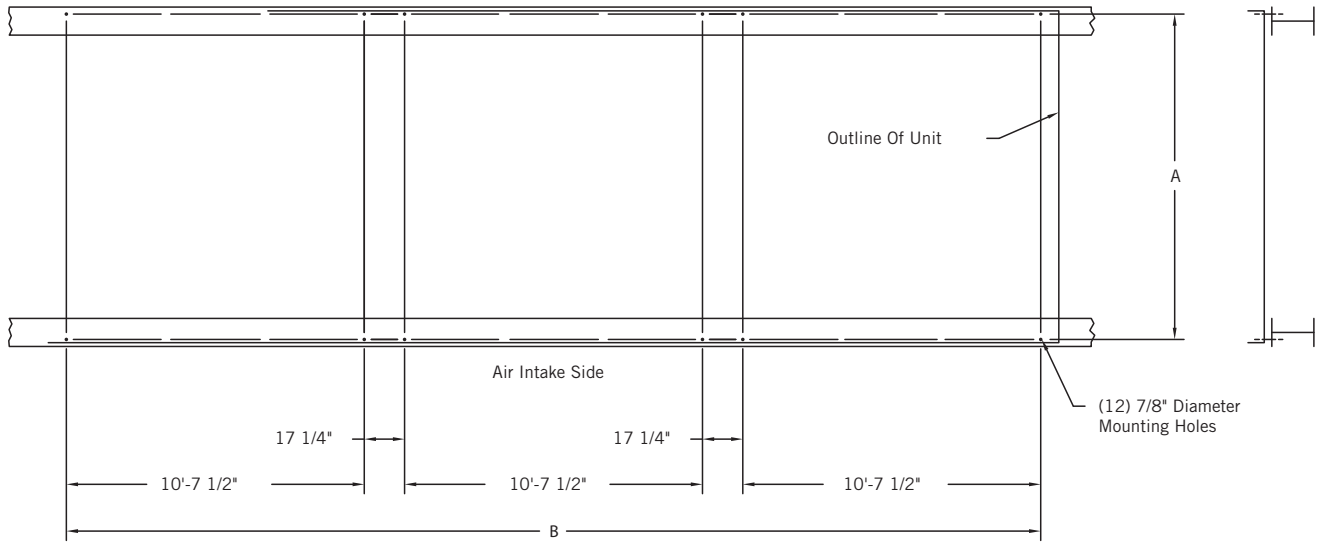
All VT0 Models, VT1-N209-P thru N255-P, VT0-M316-0 thru M420-R, and VT1-275-P thru 415-R



VT1-N301-Q thru N395-R, VT1-M431-N thru VT1-M610-P, and VT1-416-P thru 600-P



Models VT1-N418P thru N510-P, VT1-M632-0 thru M840-R, and VT1-550-P thru 830-R



Models VT1-M948-O thru M1250-R and VT1-825-P thru 1335-S

## STRUCTURAL SUPPORT

Model Number	A	B
VTL-016-E thru 039-H	3'-11"	4'-6"
VTL-045-H thru 079-K	3'-11"	7'-12"
VTL-082-K thru 095-K	3'-11"	10'-12"
VTL-103-K thru 137-M	3'-11"	13'-12"
VTL-152-M thru 227-O	7'-9"	10'-12"
VTL-245-P thru 272-P	7'-9"	13'-12"
VT0-12-E thru 28-H	3'-10"	2'-6"
VT0-32-H thru 57-K	3'-10"	5'-6"
VT0-65-J thru 88-L	3'-10"	8'-6"
VT0-102-L thru 116-M	3'-10"	11'-6"
VT0-132-L thru 176-O	4'-7"	11'-6"
VT1-N209-P thru N255-P	7'-8"	10'-8"
VT1-N301-Q thru N395-R	7'-8"	16'-8"
VT1-N418-P thru N510-P	7'-8"	22'-9"
VT1-M316-O thru VT1-M420-R	9'-8"	10'-8"
VT1-M431-N thru VT1-M610-P	9'-8"	16'-8"
VT1-M632-O thru VT1-M840-R	9'-8"	22'-9"
VT1-M948-O thru VT1-M1260-R	9'-8"	34'-9"
VT1-275-P thru 415-R	11'-8"	10'-8"
VT1-416-O thru 600-P	11'-8"	16'-8"
VT1-550-P thru 830-R	11'-8"	22'-9"
VT1-825-P thru 1335-S	11'-8"	34'-9"



### NOTES:

1. Support members and anchor bolts shall be designed, furnished, and installed by others.
2. Design of support members and anchor bolts shall be in accordance with the strength and serviceability requirements of the applicable building code and project specifications.
3. Support members shall be level at the top.
4. Refer to the certified unit support drawing for loading and additional support requirements.
5. Operating weight is based on the water level in cold water basin at overflow height.